

DLH-106R

12V Low Voltage, Max. 75W MR-16

6" NON-IC Type Housing For Remodeling

Catalog #		Type
Project		Date
Prepared by		

HALOGEN

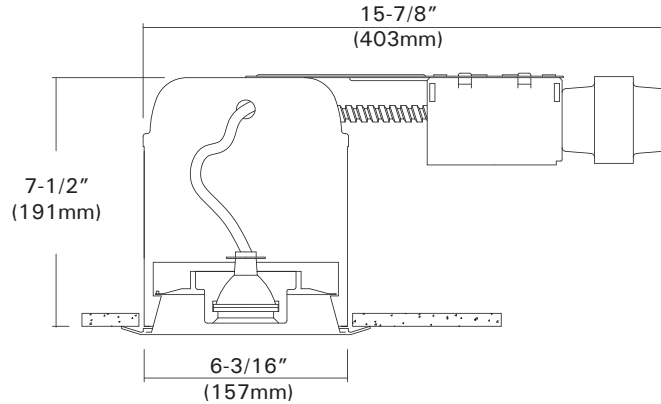


DESCRIPTION

The DLH-106R is a 6" aperture remodel housing for accent and task lighting.

APPLICATION

The DLH-106R is designed for use with 12V MR16 lamps in both existing non-insulated and insulated ceilings. Insulation material must be kept a minimum of 3" from all sides of the housing and it can be installed from below the ceiling.



DESIGN FEATURES

Ceiling Cut-out : 6-3/8"
Lamp, Max, Watt. : 75W

◦ Housing

- Galvanized steel housing.
- 5-1/2" height allows use in 2"X8" joist construction.
- Housing adjusts for ceilings up to 1/2" thick.

◦ Junction Box

- Listed for through branch circuit wiring. (Max. 8 No 12 AWG 90°C branch circuit conductors. (4 in, 4 out)
- (5) 1/2" knockouts with true pry-out slots and (4) knockouts with Romex cable clamp.
- Ground wire provided on J-box.

◦ Socket

- Ceramic socket with aluminum heat shield for Bi Pin MR16 lamps.

◦ Remodel Clips

- 4 remodel clips secure housing and accommodates 1/2" and 5/8" ceiling materials.

◦ Lamp

- One 12V, 75W MR16 lamp. - See trim page for more details.

◦ Transformer

- 120V magnetic transformer steps line voltage down to lamp operating voltage for lamps up to 75W.
- Available 277V-12V transformer.

◦ Thermal Protector

- Self-resetting thermal detector deactivates fixture if overheating occurs due to improper lamping or insulation.

• Optional "Quick Connect" Push-in wire connectors.

- Three "Quick Connectors"
- Pre-installed push-in wire connectors for fast and easy wiring.

Trims

6" Halogen Trims For

DLH-106, DLH-106R, DLH-306, DLH-306R

Catalog #		Type
Project		Date
Prepared by		

HALOGEN

TMH-704

Adjustable Baffle
75W MR16, 12V or 120V

White Plastic Trim Ring
O.D : 7-1/2"



TMH-69

Slotted Wall Wash w/ Baffle
75W MR16, 12V or 120V

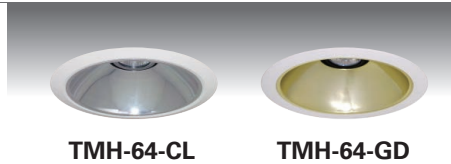
White Metal Trim Ring
O.D : 8-1/8"



TMH-64

Adjustable Reflector
75W MR16, 12V or 120V

White Plastic Trim Ring
O.D : 7-1/2"



TMH-65

Pin Hole w/ Black Baffle
75W MR16, 12V or 120V

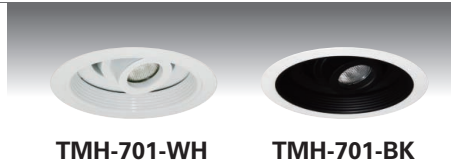
White Metal Trim Ring
O.D : 8-1/8"



TMH-701

Baffle w/ Gimbal Ring
75W MR16, 12V or 120V

White Plastic Trim Ring
O.D : 7-1/2"



TMH-702

Reflector w/ Gimbal Ring
75W MR16, 12V or 120V

White Plastic Trim Ring
O.D : 7-1/2"



TMH-68E

Eyeball w/ Baffle
75W MR16, 12V or 120V

White Metal Trim Ring
O.D : 8-1/8"



ORDERING INFORMATION

Choose the catalog / finish codes that best suit your needs and enter it on the appropriate line.

TRIM MODEL	REFLECTOR	BAFFLE	METAL RING
	CL :Clear	WH :White	WH :White
	WH :White	BK :Black	BK :Black
	GD :Gold	SN :Satin Nickel	SN :Satin Nickel
	MA :Matte Platinum	AN :Antique Nickel	AN :Antique Nickel
	CP :Champagne	AC :Antique Copper	AC :Antique Copper
	PR :Pewter	MO :Mocha	MO :Mocha
	HC :Haze Clear	CA :Cappuccino	CA :Cappuccino
		CH :Chrome	CH :Chrome
		UN :Natural Steel	UN :Natural Steel
		PB :Polished Brass	PB :Polished Brass

Examples:

TMH-704-BK-SN = Satin Nickel Trim Ring w/ Black Baffle
 TMH-65-WH = White Pin Hole w/ Black Baffle
 TMH-68E-BK = White Eyeball & Trim Ring w/ Black Baffle